

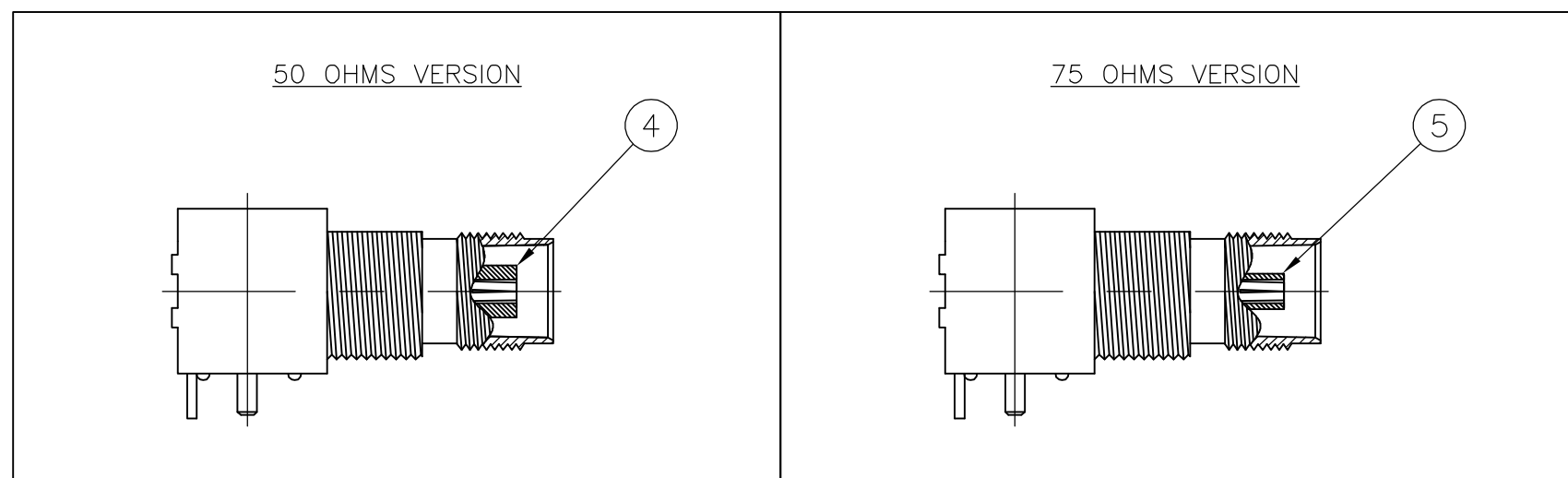
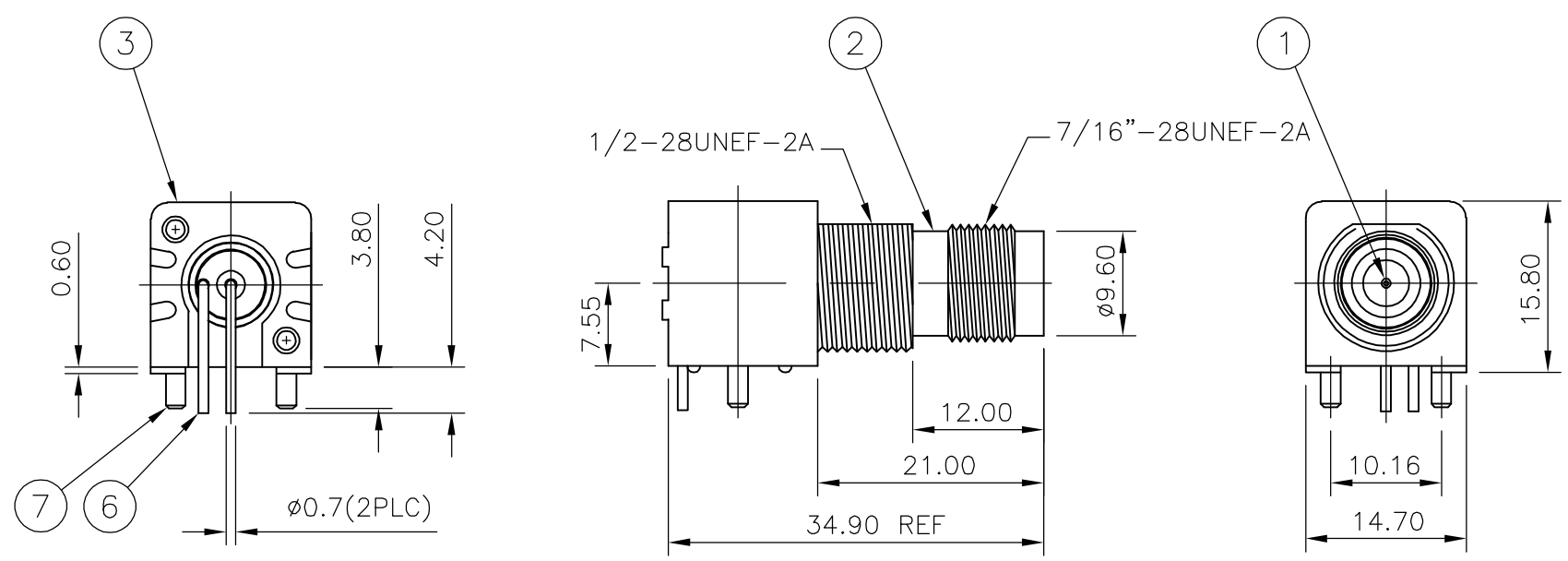
THIS DRAWING IS UNPUBLISHED. RELEASED FOR PUBLICATION OCTOBER ,2006.
 © COPYRIGHT 2006 BY TYCO ELECTRONICS CORPORATION. ALL RIGHTS RESERVED.

LOC	DIST	REVISIONS					
E	B	P	LTR	DESCRIPTION	DATE	DWN	APVD
		B		ECR-07-001294	17JAN07	JMS	FWK

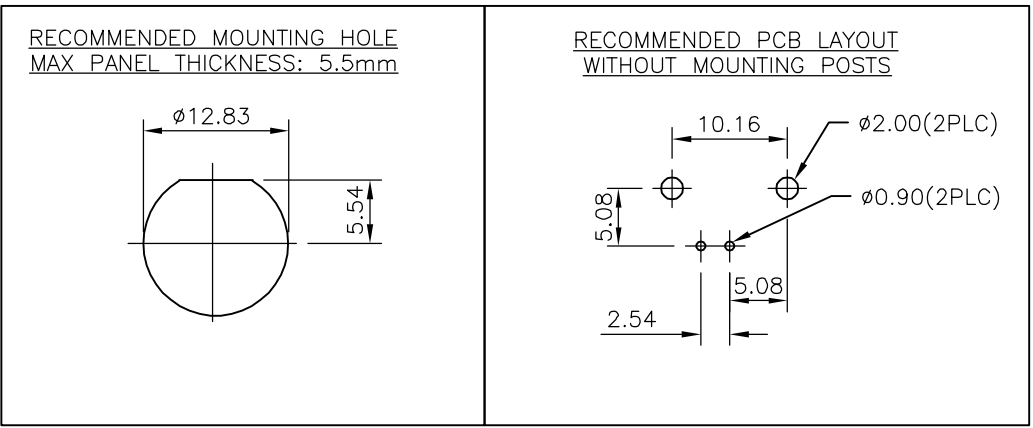
- NOTES:
- 1 SINGLE PACK IN ACCORDANCE WITH AMP SPEC 107-3275
 - 2 50 TRAY PACK IN ACCORDANCE WITH AMP SPEC 107-3275
 - 3 Au PLATING
 - 4 Ni PLATING
 - 5 RECOMMENDED MOUNT NUT 1-1634816-0
 - 6 RECOMMENDED LOCKWASHER 1-1634817-0
 - 7 CHARACTERISTICS

FREQUENCY RANGE:	50 OHM - DC - 4GHz
	75 OHM - DC - 2GHz
NOMINAL IMPEDANCE:	50 & 75 OHMS
WORKING VOLTAGE:	500V RMS
INSULATION RESISTANCE:	5000 MOHMS
DIELECTRIC WITHSTAND VOLTAGE:	1500V RMS
CONTACT RESISTANCE:	
CENTRE CONTACT	1.5 mOHMS
OUTER CONTACT	0.2 mOHMS
 - 8 MECHANICAL CHARACTERISTICS

DURABILITY:	50 CYCLES
-------------	-----------
 - 9 FOR TECHNICAL DATA REFER TO YOUR LOCAL TYCO ELECTRONICS SALES OFFICE
 - 10 ALL DIMENSIONS ARE NOMINAL FOR REFERENCE ONLY UNLESS OTHERWISE STATED



QTY	2	2	2	2	MATERIAL	DESCRIPTION	ITEM
	2	2	2	2	BRASS	MOUNTING POST	7
	1	1	1	1	BRASS	SOLDER TAIL	6
	1	1	-	-	PE-606	INSULATOR	5
	-	-	1	1	PE-606	INSULATOR	4
	1	1	1	1	POLYESTER WHITE	BODY	3
	1	1	1	1	ZINC ALLOY	BODY	2
	1	1	1	1	PHOS BRONZE	CONTACT	1
	5--3	5--2	5--1	5--0	MATERIAL	DESCRIPTION	ITEM
	1	2	1	2			



THIS DRAWING IS A CONTROLLED DOCUMENT.		DWN	J.SANDWELL	040CT06	Tyco Electronics Corporation Bideford EX39 4HE		
DIMENSIONS: mm		CHK	S.PARLOW	040CT06			
TOLERANCES UNLESS OTHERWISE SPECIFIED:		APVD	F.WHEELER-KING	040CT06	NAME		
0 PLC ± - 1 PLC ± - 2 PLC ± - 3 PLC ± - 4 PLC ± - ANGLES ± -		PRODUCT SPEC		TNC R/A INSULATED PCB SOCKET 50 & 75 OHM			
MATERIAL SEE TABLE		FINISH SEE TABLE		APPLICATION SPEC		RESTRICTED TO	
		WEIGHT -		SIZE		CAGE CODE	
		CUSTOMER DRAWING		DRAWING NO		RESTRICTED TO	
				A3 00779		G-1814807	
		SCALE NTS		SHEET 1 OF 1		REV B	